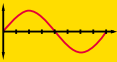


ADAPTO CK

RK Spannzangenfutter / RK Ball Bearing Collet Chuck

innen / inside

 coolant - Kühlmittel


6.3

 G Wert - G value

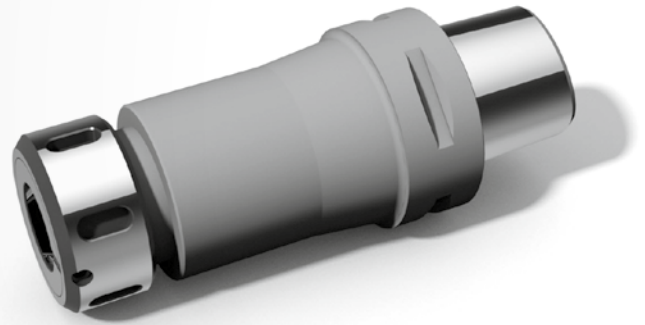
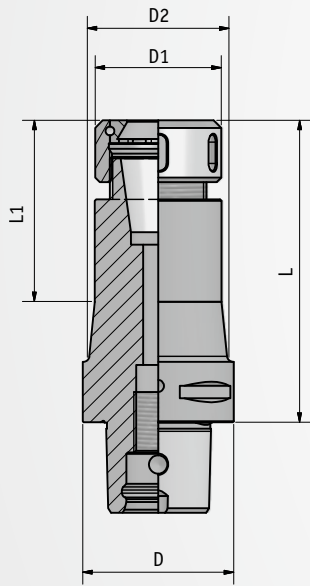
15'000

 Drehzahl rpm

Seite / page

 Preisliste - price list

Hohe Spannkraft

 High Force



Taper No.	Typ Type	Art. Nr. Item no.	Mutter Nut type	Spannzange collet size	D	D1	D2	L	L1	max Spann-Ø max Clamp-Ø	Schlüssel wrench
PSG5	AC-PSG5-070-RK25	G072 070054	RK	25	50	42	50	70	39	16	9.140.25
	AC-PSG5-100-RK25	G072 100054	RK	25	50	42	50	100	55	16	9.140.25
PSG6	AC-PSG6-090-RK25	G073 090054	RK	25	63	42	50	90	50	16	9.140.25
	AC-PSG6-100-RK32	G073 100055	RK	32	63	50	58	100	55	20	9.140.32
	AC-PSG6-070-RK40	G073 070056	RK	40	63	63	63	70	39	26	9.140.40
	AC-PSG6-120-RK40	G073 120056	RK	40	63	63	63	120	66	26	9.140.40
PSG8	AC-PSG8-080-RK25	G074 080054	RK	25	80	42	50	80	44	16	9.140.25
	AC-PSG8-100-RK32	G074 100055	RK	32	80	50	58	100	55	20	9.140.32
	AC-PSG8-090-RK40	G074 090056	RK	40	80	63	71	90	50	26	9.140.40
	AC-PSG8-130-RK40	G074 130056	RK	40	80	63	71	130	72	26	9.140.40
PSG8X	AC-PSG8X-100-RK25	G075 100054	RK	25	100	42	50	100	55	16	9.140.25
	AC-PSG8X-100-RK32	G075 100055	RK	32	100	50	58	100	55	20	9.140.32
	AC-PSG8X-140-RK32	G075 140055	RK	32	100	50	58	140	77	20	9.140.32
	AC-PSG8X-120-RK40	G075 120056	RK	40	100	63	71	120	66	26	9.140.40