

ADAPTO P

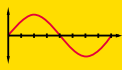
Polygon-Adapter / Polygon Adapters

innen / inside



coolant - Kühlmittel

6.3



G Wert - G value

15'000



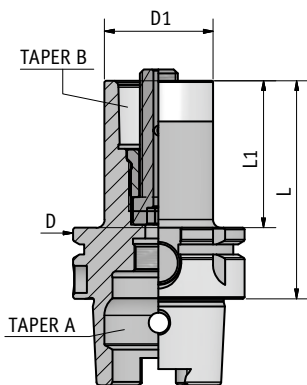
Drehzahl rpm

Seite / page

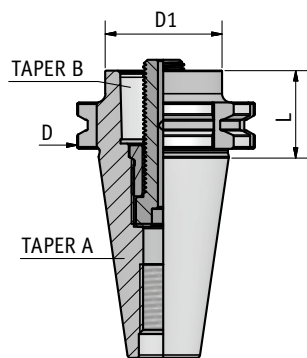
10

Preisliste - price list

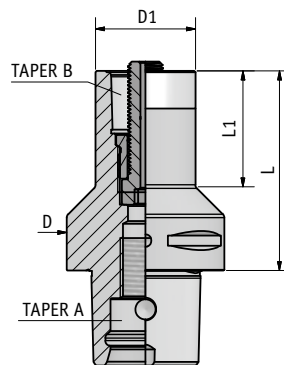
Taper A	Taper B	Typ Type	Art. Nr. Item no.	D	D1	L	L1
DIN 69893 HSK63A	PSG3	AP-HSK63A-PSG3-075	G648 075030	63	32	75	49
	PSG4	AP-HSK63A-PSG4-075	G648 080040	63	40	80	54
	PSG5	AP-HSK63A-PSG5-075	G648 090050	63	50	90	64
DIN 69871 SK40	PSG3	AP-SK40-PSG3-075	G648 075030	63	32	30	-
	PSG4	AP-SK40-PSG4-075	G648 080040	63	40	30	-
	PSG5	AP-SK40-PSG5-075	G648 090050	63	50	30	-
ISO 26623 PSG6	PSG3	AP-PSG6-PSG3-075	G648 075030	63	32	75	39
	PSG4	AP-PSG6-PSG4-075	G648 080040	63	40	80	52
	PSG5	AP-PSG6-PSG5-075	G648 090050	63	50	90	52



Adapto PH



Adapto PS



Adapto PP

